

# HIGH SPIN INDUSTRIAL WASHER EXTRACTORS

**FS  
RANGE**

FS 800	FS 1000	FS 1200
80KG 180LB	100KG 230LB	120KG 275LB



## FEATURES

- Freestanding, high spin
- Stainless steel cabinet
- Stainless steel drum and tub
- Xcontrol Plus - Fully programmable microprocessor
- Extra large door opening (FS800, FS1000 Ø 530 mm, FS1200 Ø 650 mm)
- Two large drain valves (Ø 103 mm)
- Easy access to all parts
- Standard liquid soap connections
- Frequency controlled motor
- PowerWash® perforated lifting ribs: more mechanical action, lower water consumption
- Air operated water inlet
- SuperEco washing programmes - significantly reduces water and electricity consumption
- Patented soap dispenser with 5 removable compartments

## OPTIONS

- Liquid soap pumps
- Trace-Tech® traceability software and networking system
- Forward and backward tilting is available. Tilting of the machine is done by external platform



ROBUST DESIGN



LARGE DOOR  
OPENING



EASY  
OPERATION

TRACE-TECH

POWERWASH

XCONTROL+

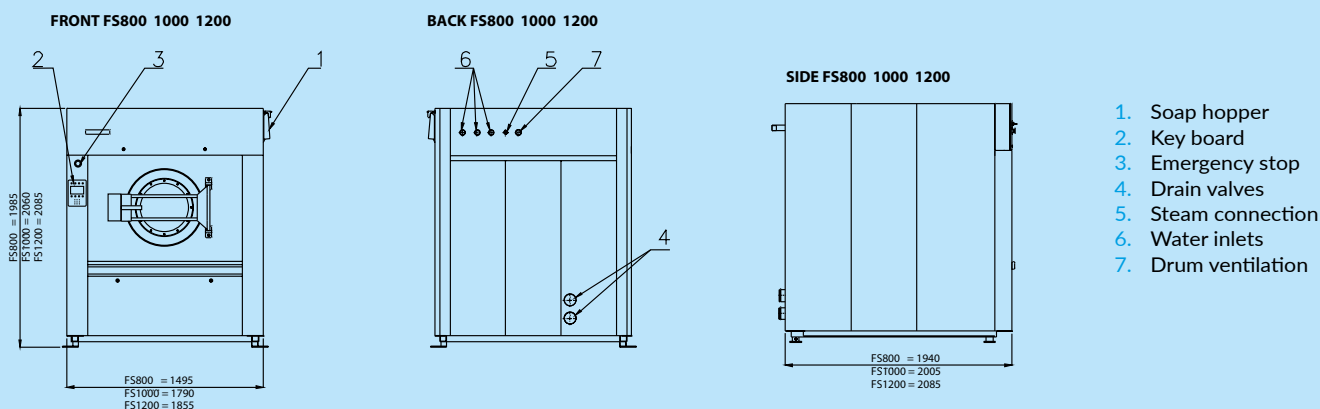
supereco  
washing programmes

**GET AHEAD** IN LAUNDRY

TYPE		FS800	FS1000	FS1200
<b>CAPACITY</b>				
Drum volume	l	807	972	1154
Capacity	kg/lb	80/180	100/230	120/275
Drum diameter	mm	Ø 1110	Ø 1200	Ø 1300
<b>MOTOR</b>				
Frequency controlled		standard	standard	standard
<b>DRUM SPEED</b>				
Wash speed	rpm	36	33	32
Spin speed	rpm	750	720	695
<b>G-Factor</b>				
		350	350	350
<b>PROGRAMMER</b>				
Xcontrol Plus microprocessor		standard	standard	standard
<b>CABINET</b>				
Stainless steel AISI 304		standard	standard	standard
<b>DRUM</b>				
Stainless steel AISI 304		standard	standard	standard
<b>HEATING</b>				
Electrical	kW	67,5	-	-
Steam high pressure	bar psi	3-8 44-116	3-8 44-116	3-8 44-116
<b>CONNECTION</b>				
Electrical		3x380-480V 50/60Hz 3x208-240V 50/60Hz, 3x 440-480V 50/60Hz		
	kW	11,25	15,25	18,75
Water inlet	inch	3x1 1/2"	3x1 1/2"	3x1 1/2"
Steam inlet	inch	1"	1"	1"
Compressed air inlet	mm	Ø 8	Ø 8	Ø 8
Drain	mm	2x103 2x4"	2x103 2x4"	2x103 2x4"
<b>DIMENSIONS</b>				
H×W×D	mm	1985×1495×1940	2060×1790×2005	2085×1855×2085
Net weight	kg	2640	3170	3480
<b>TRANSPORT DATA</b>				
Volume (packed)	m <sup>3</sup>	7,25	9,29	10,16
Packed H×W×D	mm	2200x1690x1950	2345x1865x2125	2340x2000x2170
Gross weight	kg	2830	3410	3710

- = Not available

Standard = Standard execution, The data concerning dimensions of machines include all extended parts



The Primus preserves the right to change the machines and the specification in this leaflet at any time, without prior notice. Details and photographs are only for information and never binding.

